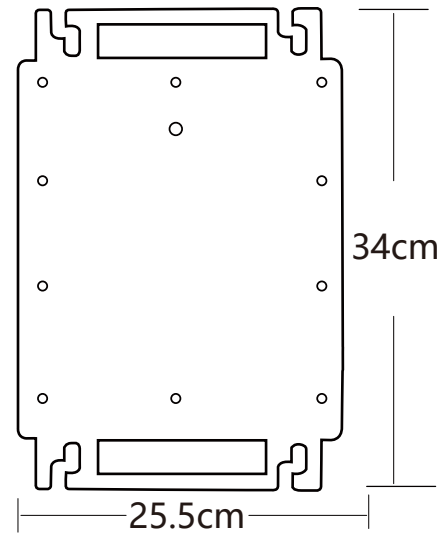
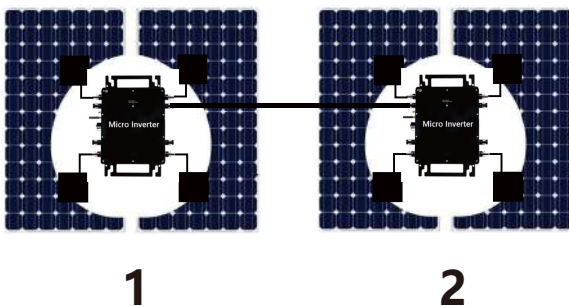


HCMI-2000 Micro Inverter Specifications

- ◆ Single unit connects up to 2 PV modules
- ◆ Maximum 2000W AC output power
- ◆ Single phase output, Flexible 3-phase PV system
- ◆ WIFI communication and cloud monitoring
- ◆ Up to 2 units(230V) per branch
- ◆ Customizable various input (DV PV) voltage range
- ◆ Integrated AC bus cable, Ready-To-Use
- ◆ Low cost, Easy installation



Single phase connection method of micro inverter



1. HCMI-2000 @Single-Phase 230V grid Maximum 2 units HCMI-2000 Microinverters per branch (AC cable 3*2.5mm²) .
2. The max DC input power of each inverter is 2000W(the PV module max output power is 4x500W)
3. The VOC of PV modules should not be greater than the max DC input voltage of Microinverters.

Technical Specifications

Model	HCMI-2000
Input Data (DC, PV)	
Number of Input MC4 Connector	4 sets
MPPT Voltage Range	22V-48V
Operation Voltage Range	18V-60V
Maximum Input Voltage	60V
Startup Voltage	22V
Maximum input power	2000W
Maximum input Current	16A*4
Output Data(AC)	
Single-Phase Grid Type	120V&230V
Rated Output Power	2000W
Maximum Output Power	2000W
Nominal Output Current	@120VAC:16.6 A/@230VAC: 8.6A
Nominal Output Voltage	120VAC /230VAC
Default Output Voltage Range	@120VAC:80V-160V /@230VAC: 180V-270V
Nominal Output Frequency	50Hz / 60Hz
Default Output Frequency Range	@50Hz:48Hz-51Hz/@60Hz:58Hz-61Hz
Power Factor	>0.99%
Total Harmonic Distortion	THD <5%
Maximum Units per Branch	@ 120VAC:2units /@230VAC: 2units (3*2.5mm ²)
Efficiency	
Nominal MPPT Efficiency	99.5%
Peak Efficiency	95%
Night Power Consumption	<1W
Mechanical Data	
Operating Ambient Temperature Range	-40°C to +65°C
Storage Temperature Range	-40°C to +85C
Dimensions (L × W × H)	255mmx340mm x 45mm
Weight	3.5kg
Max Current of AC Bus Cable	20A
Waterproof rating	IP66
Cooling Mode	Natural Convection- No Fans
Other Features	
Communication	WIFI(Cloud monitoring)
Monitoring System	Mobile APP, PC browser
Transformer Design	High Frequency Transformers,Galvanically Isolated Equipment ground is provided by the PE in the AC cable.
Integrated Ground	No additional ground is required.
Protection Functions	Isolated Island Protection,Voltage Protection, Frequency Protection, Temperature Protection,Current Protection, etc.
Design Compliance	EN IEC61000-3-2:2019+A1:2021, EN 61000-3-3:2013+A1:2019+A2:2021, EN IEC55014-2:2021,EN IEC55014-2:2021
Certificate	CE