

产品特性 Features:

- ◇ 35A触点切换能力
35A switching capability
- ◇ 具有多种安装位置
Has a variety of mounting positions
- ◇ 具有多种接线方式
With a variety of wiring
- ◇ 防尘罩型封装结构
Dust cover type packaging structure
- ◇ 用于热泵, 自动售货机, 风扇, 加热和空调
Used on heat pumps, vending machines, fans, and heating and heating and air conditioning



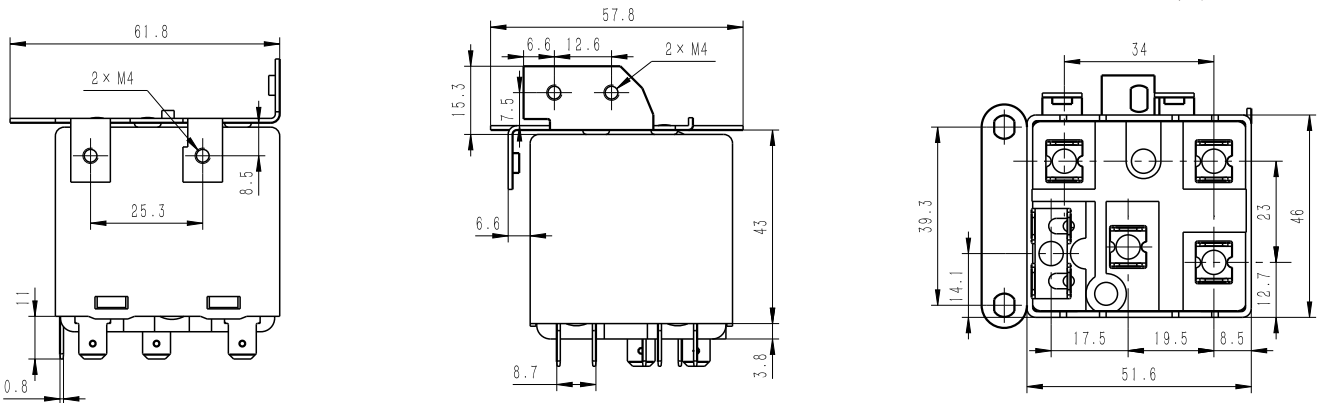
认证/标准 Standards/Approvals:

- ◇ UL-E246810
- ◇ CE
- ◇ REACH
- ◇ RoHS

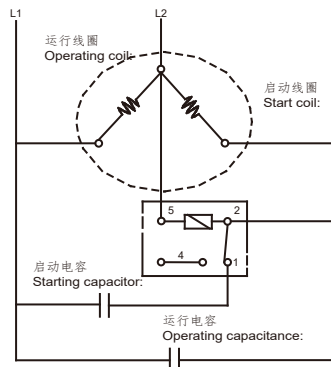
产品型号规格 Product model and specification					
型号规格 Item ID	额定电压 (VAC) Rated voltage	动作电压 (VAC) Pick-Up	释放电压 (VAC) Drop Out	线圈电阻 (Ω) Coil resistance	接触电阻 (mΩ) Contact resistance
PR9026	395	180-195	50-100	7147 × (1 ± 10%)	≤ 50
PR9063	170	140-153	30-65	1399 × (1 ± 10%)	≤ 50
PR9064	395	245-275	60-140	7147 × (1 ± 10%)	≤ 50
PR9065	332	171-184	40-90	5180 × (1 ± 10%)	≤ 50
PR9066	395	208-239	60-130	7147 × (1 ± 10%)	≤ 50
PR9067	420	300-328	75-121	10000 × (1 ± 10%)	≤ 50
PR9068	495	323-352	75-180	11950 × (1 ± 10%)	≤ 50
PR9069	420	223-252	70-150	10000 × (1 ± 10%)	≤ 50
PR9071	332	180-193	55-115	5600 × (1 ± 10%)	≤ 50

外形图 Outline drawing

单位 unit: mm



接线图 Wiring diagram



性能参数 Product Characteristics

最大工作电压 Maximum operating voltage		500VAC @-40℃~50℃
		375VAC @-40℃~85℃
触点形式 Contact form		1组常闭 SPST-NC
接触电阻 Contact resistance		≤50mΩ (@6V/1A)
触点材料 Contact material		AgCdO
额定负载 Rated load		35A 277VAC(只分断) 35A 277VAC (breaking only)
最大切换电压 Maximum commutation voltage		500VAC
最大切换电流 Maximum commutation current		50A
输入功率 Input power	保持功率 Holding power	≤5 VA
	输入功率 Input power	≤21.5 VA
机械耐久性 Mechanical durability		1X10 ⁶ 次
电耐久性 Electrical durability		<p>2.5×10⁵次(接通空载/分断16A 277VAC,1s通 / 5s断) (no-load / off 16A 277VAC, 1s on / 5s off)</p> <p>2×10⁵次(接通空载/分断16A 320VAC,1s通 / 5s断) (no-load / off 16A 320VAC, 1s on / 5s off)</p> <p>5×10⁴次(接通空载/分断35A 额定电压,1s通 / 9s断) (Turn on no-load / off 35A rated voltage, 1s on / 9s off)</p> <p>6×10³次(接通空载/分断50A 额定电压,1s通 / 9s断) (Turn on no-load / off 50A rated voltage, 1s on / 9s off)</p> <p>1×10⁴次(接通阻性负载16A 额定电压/分断16A 额定电压,1s通 / 5s断) (Turn on resistive load 16A rated voltage / turn off 16A rated voltage, 1s on / 5S off)</p>
绝缘电阻 Insulation resistance		500MΩ (500VDC)
冲击(稳定性) Shock (stability)		98m/s ²
振动 Vibration		10Hz to 55Hz, 1.5mm双振幅 10Hz to 55Hz, 1.5mm double amplitude
湿度范围 Humidity range		5% to 85%RH
温度范围 Temperature range		-40℃ to 85℃
引出端形式 Lead out form		快连接式 Quick connect
重量 Weight		约98g About 98g
封装方式 Packaging method		防尘罩型 Dust cover type