

Specifications 技术参数

Square body fuse links

Ratings & Features Applications 电气参数/功能应用领域:

Size: 1#

- ◇ Volts 电压: 250Vdc;
- ◇ Amps 电流: 200-450A;
- ◇ Interrupting Capacity 分断:
 - Max 250Vdc 50kA; (L/R≤5ms)
 - Min BC ≥ 5In;
- ◇ Class Type 产品类别: **aR**;
- ◇ Design For Dc Applications 直流应用设计;
- ◇ Excellent Dc Performance 卓越的直流分断能力;
- ◇ Superior cycling capability 可循环利用率高
- ◇ Application: Industrial ESS



Standards / Approvals 认证标准:

- ◇ Refer To UL 248.13
性能参考UL 248.13;
- ◇ CE;
- ◇ RoHS Compliant.
符合RoHS。

Product Model 产品型号说明:

HC **B** **DG** **1** **:** **450** **K**

HC: Company Code

B: Square body fuse links

DG: 250V Fast-Acting

1: Series body 1#

Rated Current: 450: 450A

x: Connect: K (Flush Customize)

Optional base indicator, the standard product is the "Default" configuration.

Default: K--with fuse indication, e.g.: HCBDG1-450K;

Optional: KN--without fuse indication, e.g.: HCBDG1-450KN;

Fuse Ratings 额定参数

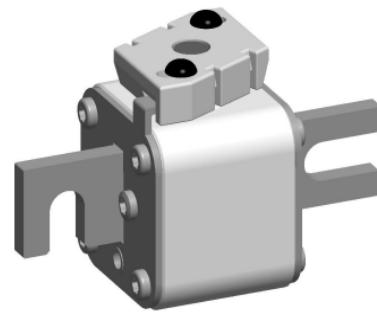
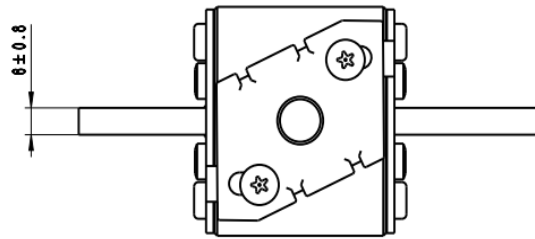
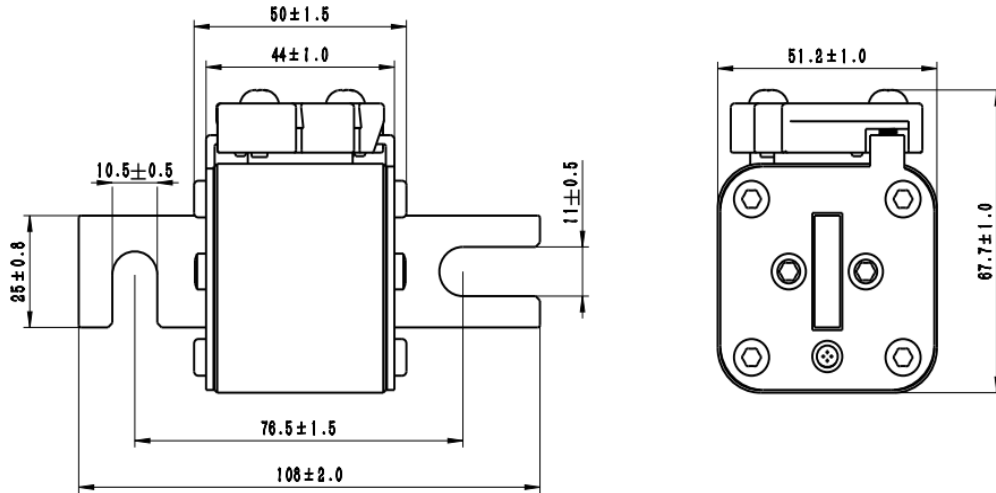
Part No.	Fuse Amps	Size	Average @50KA/250Vdc		Power Loss (W) 100%
			A ² s Melting	A ² t Clearing	
HCBDG1-200K	200	1#	11,590	138,180	18
HCBDG1-250K	250	1#	19,850	233,940	20
HCBDG1-275K	275	1#	28,450	335,580	23
HCBDG1-315K	315	1#	39,490	478,690	25
HCBDG1-350K	350	1#	50,540	616,350	26
HCBDG1-400K	400	1#	68,980	848,350	28
HCBDG1-450K	450	1#	101,600	1,290,200	39

Optional base indicator, the standard product is the "Default" configuration.

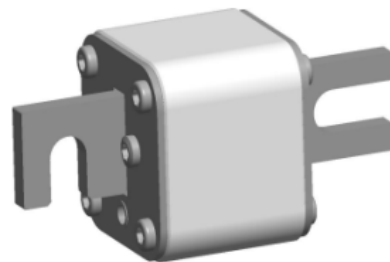
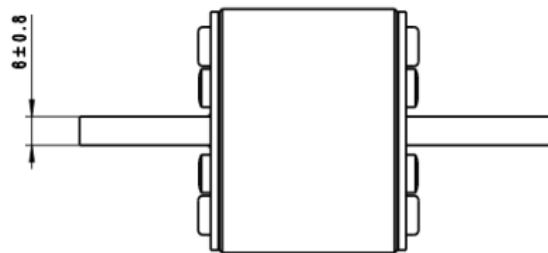
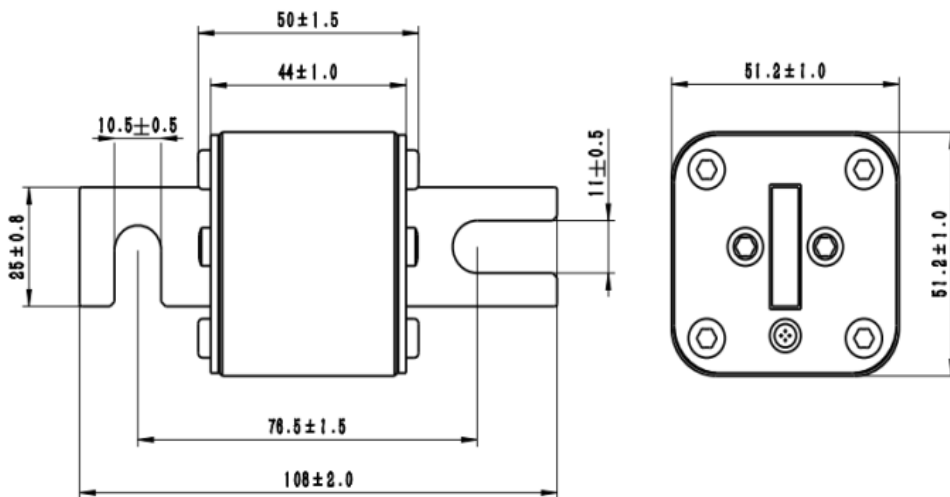
Default: K--with fuse indication, e.g.: HCBDG1-450K

Optional: KN--without fuse indication, e.g.: HCBDG1-450KN;

Dimensions(mm) 尺寸

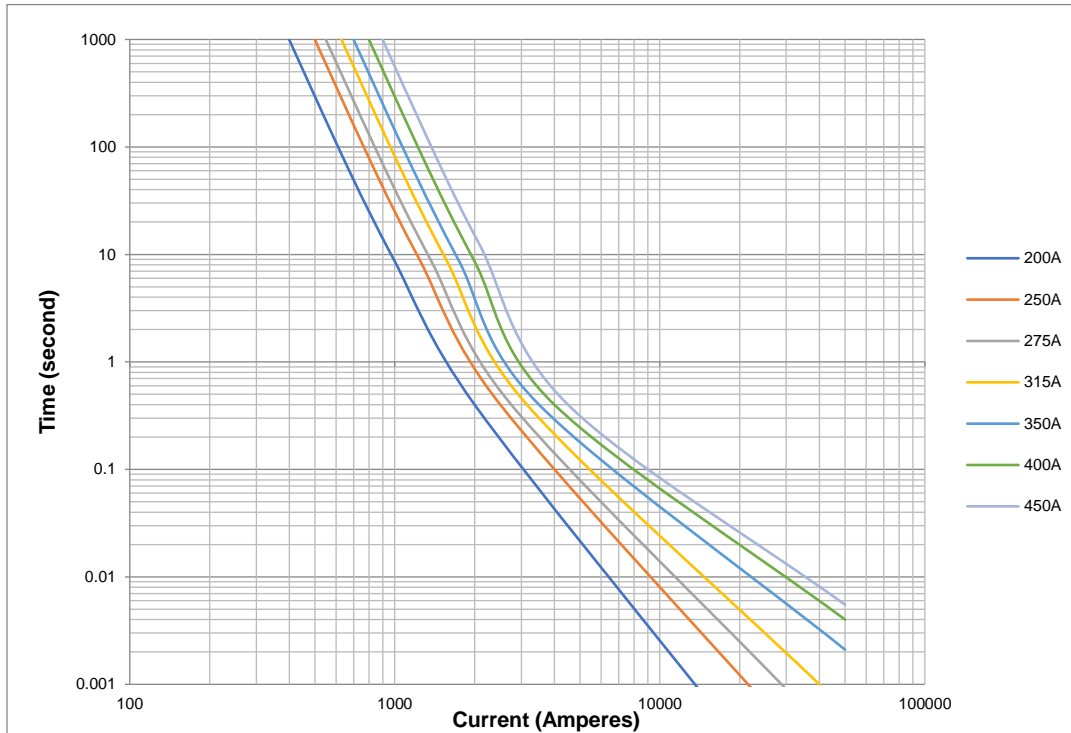


HCBHG1-xxxK



HCBHG1-xxxKN

Time-Current Curve 时间电流曲线图



- 1: The accuracy of the characteristic curve is $\pm 15\%$ of the current direction error;
- 2: Minimum breaking current: $5.0 I_n$

Operating conditions 使用条件

- ◇ Operating temperature: $-5^{\circ}\text{C} \sim 40^{\circ}\text{C}$;
正常使用条件: $-5^{\circ}\text{C} \sim 40^{\circ}\text{C}$;
- ◇ Allowable operating temperature: $-40^{\circ}\text{C} \sim 100^{\circ}\text{C}$;
允许使用条件: $-40^{\circ}\text{C} \sim 100^{\circ}\text{C}$;
- ◇ Regular current flow should $\leq 75\%$ of recommended rated current;
推荐长期通流的电流值不大于额定电流的75%;
- ◇ Temperature correction factors: when below -5°C (23°F), low overload (L.O.) pre-arcing time will slightly extend, rated current will slightly increase;
周围空气温度变化的参数修正: 在低于 -5°C 下工作, 熔断器的低倍过载电流的弧前时间略有延长, 额定电流略有增大, 但是除非 -5°C 以上不是工作范围, 一般不参考增加熔断器额定电流;
- ◇ If operating above 40°C (104°F), rated current need extra corrections, factors: $-Kt$ ①.
熔断器在 40°C 以上工作, 额定电流需要额外的修正, 修正系数为 $-Kt$ 。

*Note①: Kt value has already considered the safety current allowance under regular operating scenarios.

*注1: Kt 的取值已考虑熔断器在正常工作条件下的额定电流安全余量的影响。

